

WAT-300DH3

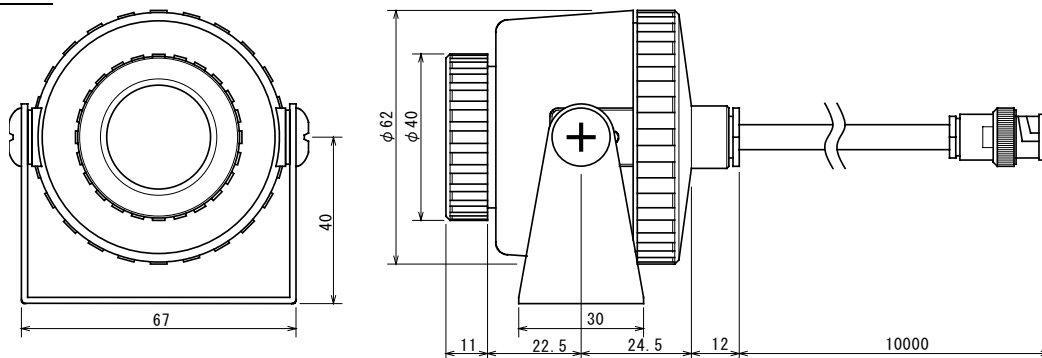
Water-resistant Monochrome Camera

【SPECIFICATIONS】

Model	WAT-300DH3 (EIA/CCIR)
Pick-up element	1/3 inch Interline transfer CCD image sensor
Number of total pixels	811 (H) × 508 (V) (EIA), 795 (H) × 596 (V) (CCIR)
Number of effective pixels	768 (H) × 494 (V) (EIA), 752 (H) × 582 (V) (CCIR)
Unit cell size	6.35 μm (H) × 7.4 μm (V) (EIA), 6.5 μm (H) × 6.25 μm (V) (CCIR)
Scanning system	2:1 interlace
Synchronizing system	Internal
Video output	Composite video, 1.0Vp-p, 75 Ω unbalanced
Resolution (Horizontal)	570TVL (center)
Minimum illumination	0.04 lx. F2.0
Gamma correction	$\gamma \doteq 0.45$
AGC	5~32dB
S/N Ratio	50dB (AGC OFF)
Standard lens	(f=2.9 F2.0) or (f=3.8 F2.0)
Connection terminal	Video out (BNC), connection to camera (BNC), power in
Power supply	DC+12V ± 15%
Current	Max. 140mA
Operating temperature	-10°C ~ +40°C (w/o condensation)
Storage temperature	-30°C ~ +70°C (w/o condensation)
Dimensions	75.0 (W) × 71.0 (H) × 70.0 (D) mm
Weight	200g (cable included)
Accessories	Receiver (WAT-300RXS), AC-adaptor (AD-901)

【DIMENSIONS】 (mm)

WAT-300DH3



WAT-300RXS (accessory)

