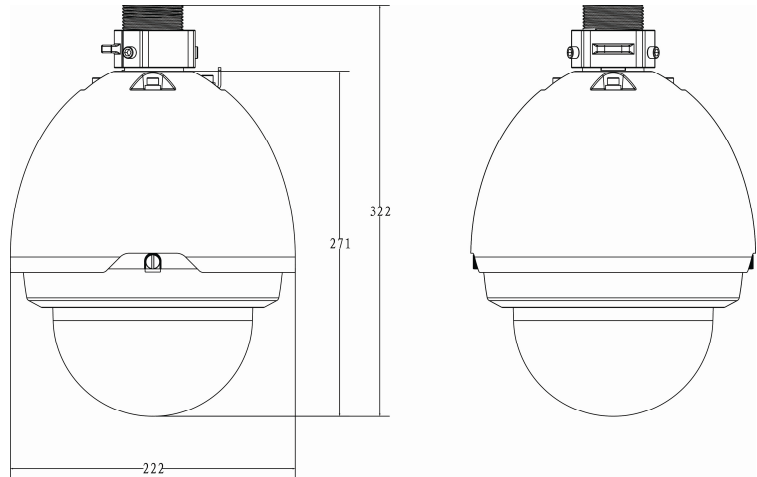


ViSD – 2XX series Digital Network Speedome



Dimension



Features

- **Advanced camera DSP** that produces high-resolution and low-light video output
- High resolution **600TVL or HD 1.3 Mega Pixel**
- The max min. illumination is 0.001Lux@F1.6(Color), **0.0001Lux@F1.6(B/W)**
- **Multiple optical zooms** (18x, 23x, 30x, 36x types)
- **H.264 & Dual-stream** video encoding and JPEG image capture
- **Realtime 25/30fps@1.3MP**, D1(4CIF)/HD1/CIF/VGA resolution
- **Day/Night (ICR), DNR (2D&3D), WDR**, Auto iris, Auto focus, AWB, AGC, BLC
- **Built-in Web server**, NVR, CMS(optional) & DMSS
- Max 300 °/s pan speed, **360° continuous pan rotation** & auto flip with no blind spot monitor
- Up to **255 preset**, 5 auto scan, 8 tour, 5 pattern
- **Auto recognition of general protocols** such as DH-SD, Pelco-P/D, and etc
- **Speed setup** according to the focal distance, auto rotation speed adjust in accordance with the lens zoom rate
- **Auto restore** to previous PTZ and lens status after power failure
- **Time Task**: Auto activation of Preset/Scan/Tour/ Pattern by preset-time
- **Idle task** function supported: Call preset/tour and etc operations after idle for the specified time (including the idle status after the system boots up)
- **OSD** and operation prompts of various languages
- Build-in **alarm input/output**
- Unique **3D positioning function**
- **IP66** all-environments protection, 4000V thunder-proof, auto constant temperature & anti-fog; IK10 optional

Specification

Model	ViSD - 201	ViSD - 202	ViSD - 203	ViSD - 213 HD
	ViSD - 201N	ViSD - 202N	ViSD - 203N	ViSD - 213N HD
Camera				
Image Sensor	1/4" Super HAD CCD II			1/3" 1.3M Aptina CMOS
Effective Pixels	752(H) x 582(V) 768(H) x 494(V)			1280 (H) x 960(V)
Horizontal Resolution	600TVL(Color) 650 TVL (B/W)			1.3 Mega Pixel
Min. Illumination	Color: 0.01 Lux B/W: 0.001Lux			Color: 0.05Lux B/W:0.005Lux
Lens	Optical zoom 23x	Optical zoom 30x	Optical zoom 36x	Optical zoom 18x
	f= 3.9mm(wide) ~ 89.7mm(tele), (F1.6~2.7)	f= 3.4mm(wide) ~ 102mm(tele), (F1.6~4.5)	f= 3.4mm(wide) ~122.4mm(tele), (F1.6~4.5)	f= 4.7mm(wide) ~ 84.6mm(tele), (F1.6~3.2)
Digital Zoom	16x			
Angle of View	61.68°(wide) ~ 3.06°(tele)	57.58°(wide)~ 2.3°(tele)	57.8°(wide)~ 1.7°(tele)	55.2°(wide) ~ 3.2° (tele)
Close Focus Distance	100mm (wide) ~ 1500mm (Tele)			10mm (wide) ~ 1000mm (Tele)
Electronic Shutter	Auto: 1/1s ~1/100,000s Manual: 1/1s ~1/10,000s			NTSC:1/1~1/30,000s, PAL:1/1~1/30,000s
Day/Night	ICR			Auto(ICR) / Color / B/W
Privacy Masking	Support			
WDR	Digital WDR			
Noise Reduction	2D / 3D			
Gain Control	Auto/Manual			
Exposure Control	Auto / Manual / Shutter priority / Iris priority / Bright mode, Exposure Compensation			
BLC	ON/OFF			
White Balance	AWB(3200to7500K), ATB(2000to10000K), Indoor(3200K), Outdoor(5800K);Manual			
Picture Effects	Sharpness, Image mirror, Image freeze			
S/N Ratio	More than 50 dB			
Video Output	CVBS: 1.0Vp-p / 75Ω			
Video & Audio				
Video Compression	H.264 / MJPEG			
Image Resolution	D1(704×576/704×480) / VGA(640×480) / CIF(352×288/352×240) / QVGA(320×240) / QCIF(176×144/176×128)			1.3M(1280×960) / 720P(1280×720) / D1(704×576/704×480) / CIF(352×288/352×240) / QCIF(176×144/176×128)
Encoding Speed	Main Stream: 1~25/30fps at all resolution			1.3M(1~15fps),720P(1~25fps)
	Extra Stream: 1~25/30fps at all resolution			D1/CIF/QCIF (1~25fps)
Audio Compression	PCM8/G711A/G711U			

Model	ViSD - 201	ViSD - 202	ViSD - 203	ViSD - 213	HD
	ViSD - 201N	ViSD - 202N	ViSD - 203N	ViSD - 213N	HD
Audio Mode	Off/Audio input/Audio output				
Bit Rate	32K~4Mbps			32K~8Mbps	
Bidirectional Talk	Yes				
Dome Drive					
Pan/Tilt Range	Horizontal: 0°~360°endless, Vertical: -2°~90° auto flip 180° to continue monitor				
Manual Control Speed	Horizontal: 0.1°~300°/s, Vertical: 0.1°~150°/s				
Preset Speed	Horizontal: 300°/s, Vertical: 180°/s				
Preset	255				
PTZ Mode	5 Auto Pattern, 8 Auto Tour, 5 auto scan				
3D Positioning	Yes				
Speed Setup	Human-oriented focal Length/ speed adaptation				
Info Display	Time, Location, Dome title, Dome coordinates, Temperature, Alarm, and etc.				
Power up Action	Auto restore to previous PTZ and lens status after power failure				
Idle Motion	Activate preset/scan/tour/ patter if there is no command in the specified period.				
Time Task	Auto activation of Preset/Scan/Tour/ Pattern by preset-time				
Alarm	2/1 alarm input/output, triggering Preset/Tour/Pattern/Scan/Alarm output			7/2 alarm input/output	
Protocol	DH-SD, Pelco-P/D, Auto recognition of general protocols				
Network					
Ethernet	RJ-45 (10/100Base-T)				
Network Functions	IPv4/IPv6, HTTP, HTTPS, SSL, TCP/IP, UDP, UPnP, ICMP, IGMP, SNMP, RTSP, RTP, SMTP, NTP, DHCP, DNS, PPPOE, DDNS, FTP, IP Filter, QoS, Bonjour, ONVIF				
Remote Operation	Monitor, PTZ control, Playback, System Setting, File download, Log Information, Maintenance & Upgrade				
Max Remote Users	20 Users simultaneously				
Processor	TI DaVinci Series DSP				
Operating System	Embedded LINUX				
Resource	Simultaneous remote monitoring, remote operation & local recording				
Local Recording	SD/SDHC, Max 32GB				
User Interface	WEB, CMS(DSS/ PSS), DMSS, NVR				
General					
Power Supply	AC 24V/1.5A(±10%)				
Power Consumption	15W(Indoor), 27W(Outdoor, heater on)				
Working Temperature	-40°C ~ 60°C				
Working Humidity	<90%				
ProtectionLevel	IP66, 4000V thunder, surge and wave protection, IK10 optional				
Dimension	Φ222(mm) x 322(mm)				
Weight	5.0kg				