

HD Digital Network Recorder



ViDR – X01 L series (1U)

VZOR® Digital Network Recorder is a high end recording system which provides **HD** realtime recording and playback with **MegaPixel Resolution**. This recording system equipped with multiple smart functions for user convenience that enabling the user to have a premium quality recording and monitoring system at all time.

VZOR® Recording system have long been installed in various important locations such as : Embassies, Prisons, Banks, Gas stations, Hospitals, Governmental buildings, Colleges, etc. All systems have been proven to be effective, reliable and durable.

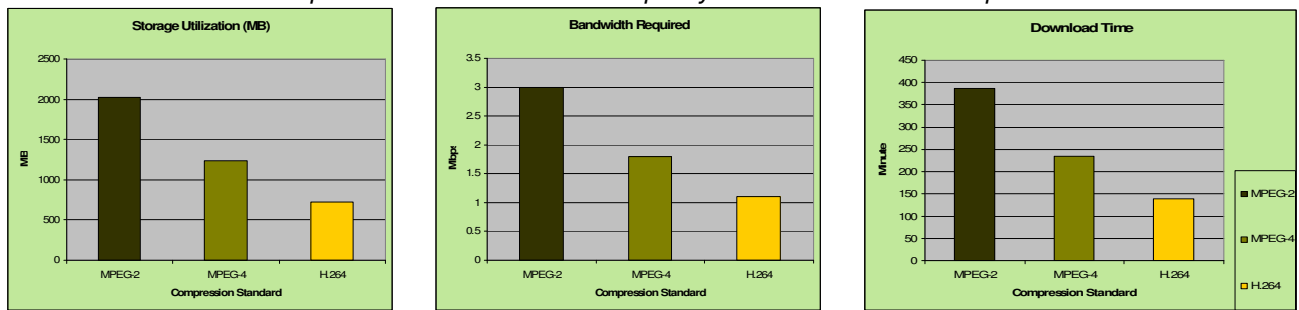
Standard Features

- > All channels **full realtime** display and recording
- > Up to 4/8/16 cameras with **HD 1080P** Live Display
- > Super **Dual-core CPU** ensures the powerful and smooth previewing, recording, playback and network performance
- > **Advanced H.264** video compression ideal algorithm
- > Each channel at D1 **realtime recording**, and selected channel in HD 1080P (401L -1x 1080P, 801L -2x 1080P, 1601L – 4x 1080P)
- > **Dual encoding streams** supported for smooth internet viewing
- > TV(BNC)/VGA/**HDMI** synchronous video output
- > **Pentaplex** capability : live, recording, playback, backup & remote access at the same time
- > All channels simultaneous playback, **GRID interface & smart search**
- > **Smart video detection**: MD, camera blank, video loss
- > **3D intelligent** positioning with PTZ dome
- > Advanced Hard disk **Hibernation technology** with HDD faulty alarm
- > Support **remote network camera encoding setting** & image adjustment
- > **Video Spot out** : Alarm triggering screen tips, buzzer, PTZ, e-mail, FTP upload
- > Supports **2 SATA HDD**
- > Built-in web server, **multi-DVR client**, MSS & CMS (optional)
- > Support **VZOR Hybrid IP System**
- > Support mobile phone remote viewing : **Iphone, Blackberry, Window Mobile** and other Symbian O/S etc
- > Support **Mozilla Firefox, Window 7,** etc Browsers
- > Support **Flash drive / USB HDD / USB CD&DVD-RW / Network** download backup

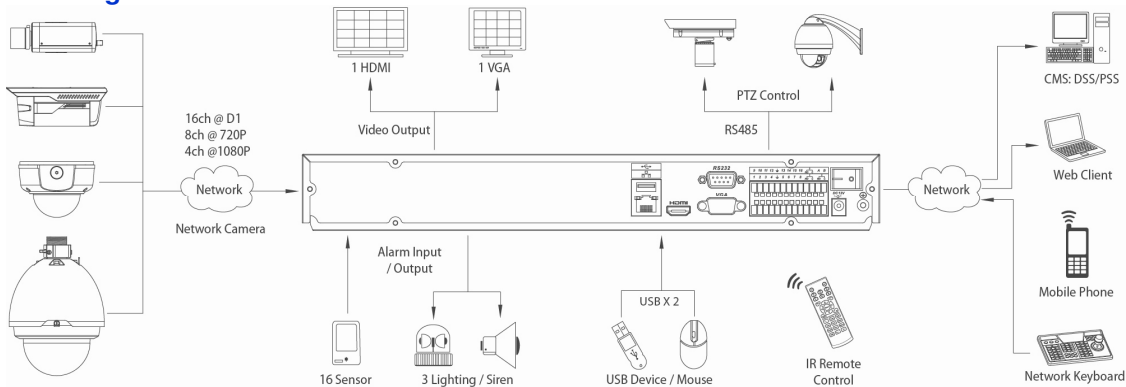
Advanced H.264 Compression

- Better picture quality
- Lower network bandwidth consumption
- Smaller file size
- Better network transferring speed

Performance comparison for 90-minute DVD-quality movie in different Compression Standard



Application Diagram



Model	ViDR – 401L	ViDR – 801L	ViDR – 1601L
System			
Main Processor	High performance Dual-core embedded microprocessor		
Operating System	Embedded LINUX		
System Resources	Pentaplex function: live, recording, playback, backup & remote access		
Control Mode	Front panel, USB mouse, IR remote control, Keyboard, Network		
Video			
IP Camera Input	4ch@D1 / 2ch@720P / 1ch@1080P	8ch@D1 / 4ch@720P / 2ch@1080P	16ch@D1 / 8ch@720P / 4ch@1080P
IP Camera Supported List	VZOR, Arecont Vision, AXIS, Canon, Dynacolor, Panasonic, SAMSUNG, SANYO, SONY, ONVIF		
Output	1 HDMI(video & audio), 1 VGA		
Display			
Display Split	1/4	1/4/8/9	1/4/8/9/16
Resolution	1920×1080, 1280×1024, 1280×720, 1024×768		
Tour Display	Support		
Privacy Masking	4 self-defined four-sided zones for privacy masking for each camera		
OSD	Camera title, time, video loss, camera lock, motion detection, recording		
Recording			
Compression	H.264 / MPEG4		
Recording Resolution	1080P(1920×1080) / 720P(1280×720) / D1 (704×576/704×480)		
Max Recording Speed	100/120fps@D1, 50/60fps@720P, 25/30fps@1080P	200/240fps@D1, 100/120fps@720P, 50/60fps@1080P	400/480fps@D1, 200/240fps@720P, 100/120fps@1080P
Recording Bit Rate	Up to 8Mbps	Up to 16Mbps	Up to 32Mbps
Recording Quality	CBR, VBR(1~6 level, level 6 is the best)		
Recording Mode	Manual, Schedule(Regular(Continuous), MD(Video detection: Motion detection, Camera blank, Video loss), Alarm), Stop		
Recording Priority	Manual >Alarm >MD >Regular		
Recording Interval	1~120 min (default: 60 min)		
Video Detection & Alarm			
Trigger Events	Recording, PTZ movement, Tour, Alarm, Email, FTP, Buzzer & Screen tips		
Motion Detection	Zones: 396(22×18), Sensitivity: 1~6 (level 6 is highest)		
Video Loss	Support		
Alarm Input	4 channel	8 channel	16 channel
Relay Output	3 channel		
Playback & Backup			
Playback Channel	1/2/4/All		
Search Mode	Time/Date, Alarm, MD & Exact search (accurate to second), Smart search		
Playback Function	Play, Pause, Stop, Rewind, Fast play, Slow play, Next file, Previous file, Next camera, Previous camera, Full screen, Repeat, Shuffle, Backup selection, Digital zoom		
Backup Mode	Flash drive / USB HDD / USB CD&DVD-RW / Network download		
Network			
Ethernet	RJ-45 port (10/100M/1000M)		
Network Function	HTTP, TCP/IP, UPNP, RTSP, UDP, SMTP, NTP, DHCP, DNS, IP Filter, PPPOE, DDNS, FTP, Alarm Server, IP Search(Support VZOR IP camera, DVR, NVS etc)		
Max Remote Users	20 Users simultaneously		
Remote Operation	Monitor, PTZ control, Playback, System setting, File download, Log information		
Hard Disk			
Hard Disk	2 SATA ports, Up to 6TB		
Space Occupation	Max 3.6GB/H per channel		
HDD Management	HDD Group, HDD hibernation technology, HDD faulty alarm & Raid(Redundancy)		
Auxiliary Interface			
USB Interface	2 ports, 1 for mouse control, 1 for backup		
RS232	VZOR network keyboard, PC communication		
RS485	PTZ control		
Environmental			
Power Supply	DC12V/3.3A		
Power Consumption	20W(without HDD)		
Working Environment	-10 ~+55℃ / 10~90%RH / 86~106kpa		
Dimension	1U, 375mm×285mm×45mm(W×D×H)		
Weight	2.3KG(without HDD)		